

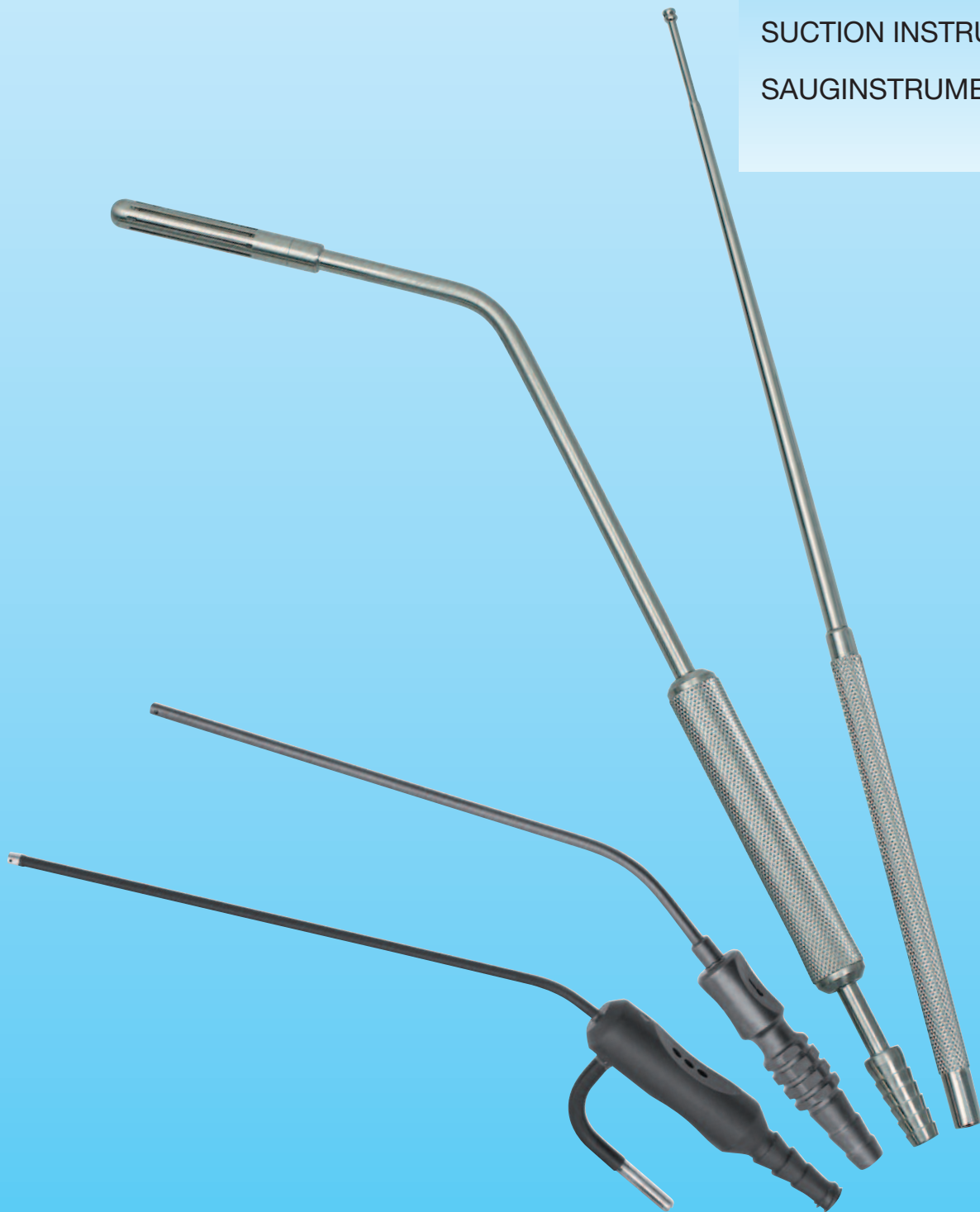
FEHLING...

... THE DIFFERENCE

8

SUCTION INSTRUMENTS

SAUGINSTRUMENTE



FEHLING
INSTRUMENTS

Hanauer Landstraße 7A · 63791 Karlstein/Germany · www.fehling-instruments.de



+49 (0) 61 88 - 95 74.40

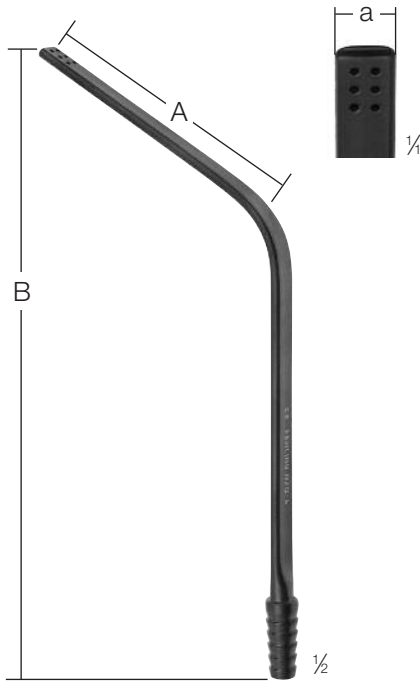


+49 (0) 61 88 - 95 74.45



info@fehling-instruments.de

CERAMO®



| WIDTH BREITE a | LENGTH LÄNGE A / B | | |
|----------------------|--------------------------|-------------|-------------|
| | 70 / 155 mm | 80 / 160 mm | 90 / 165 mm |
| 6 mm | NZQ-7V | NZQ-8V | NZQ-9V |
| 8 mm | NZQ-3V | NZQ-4V | NZQ-5V |

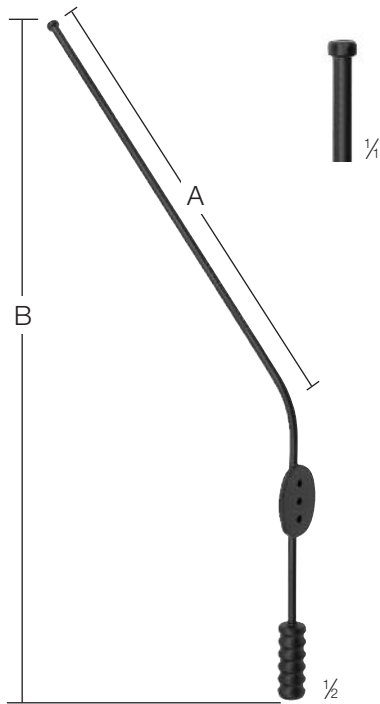
SCHROEDER
SUCTION SPATULA
SAUGSPATEL



| WIDTH BREITE a | |
|----------------------|-------|
| 6 mm | NZQ-2 |
| 8 mm | NZQ-1 |

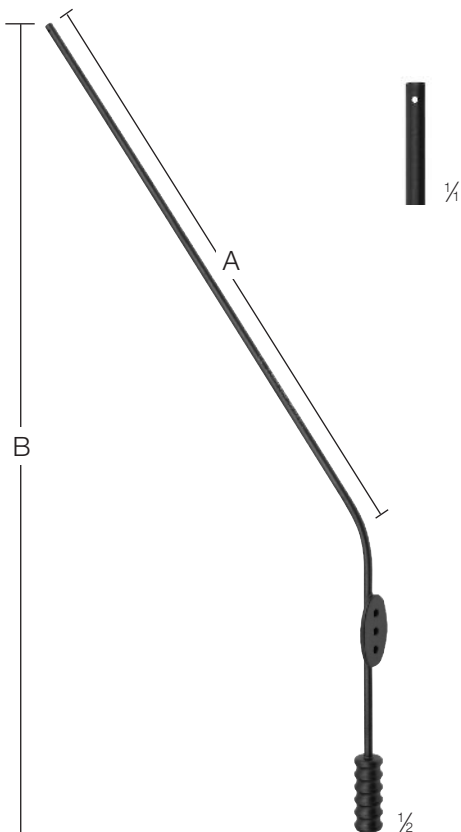
SUCTION NERVE ROOT RETRACTOR
SAUG-NERVVUZELHAKEN
95 / 135 mm

CERAMO® SCHICK



| Ø TUBE ROHR | LENGTH LÄNGE A / B | |
|-------------------|--------------------------|--------------|
| | 130 / 180 mm | 170 / 210 mm |
| 2,5 mm | HAV-7 | HAV-8 |
| 3,0 mm | HAV-9 | HAW-0 |

CEREBRAL SUCTION TUBE
CEREBRALSAUGER



| Ø TUBE ROHR | LENGTH LÄNGE A / B | |
|-------------------|--------------------------|--------------|
| | 130 / 180 mm | 170 / 210 mm |
| 1,5 mm | HAV-5 | HAV-6 |
| 2,5 mm | HAV-1 | HAV-2 |
| 3,0 mm | HAV-3 | HAV-4 |

MICRO SUCTION TUBE
MIKROSAUGER

CERAMO®



½

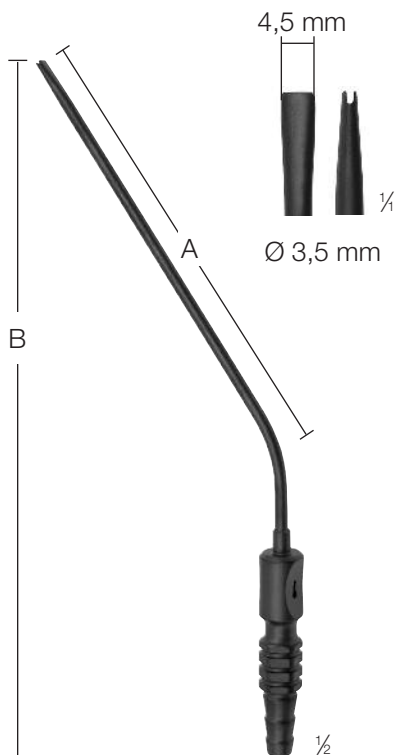
PITUITARY SUCTION CANNULA
HYPOPHYSENSAUGER
200 mm



¼

¼

| Ø TUBE ROHR | 45° | 60° |
|-------------------|-------|-------|
| 2,0 mm | HAW-1 | HAW-2 |
| 3,0 mm | HAW-3 | HAW-4 |



4,5 mm

Ø 3,5 mm

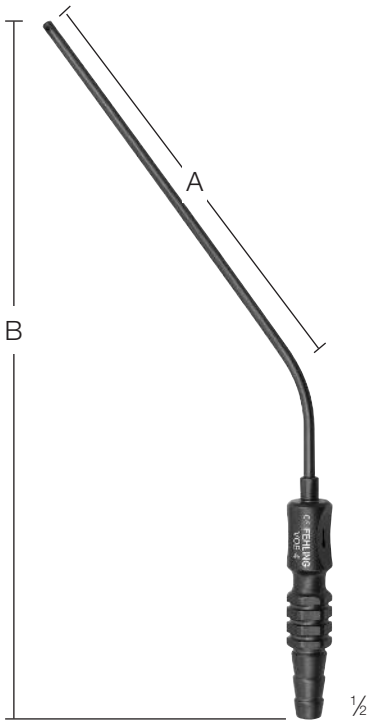
¼

½

DISSECTING ASPIRATOR
DISSEKTIONSSAUGER

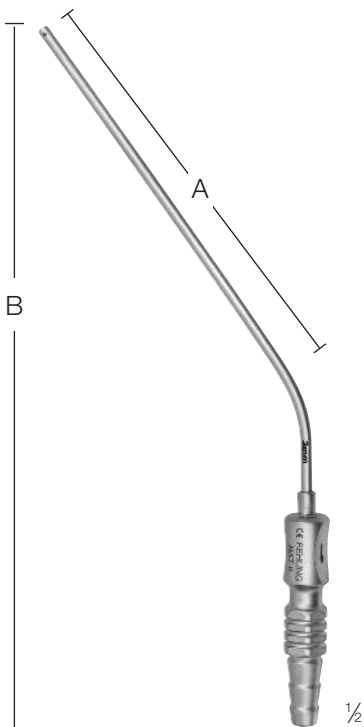
| LENGTH LÄNGE A / B | |
|--------------------------|-------|
| 120 / 190 mm | NZV-3 |
| 220 / 250 mm | NZV-0 |

FRAZIER



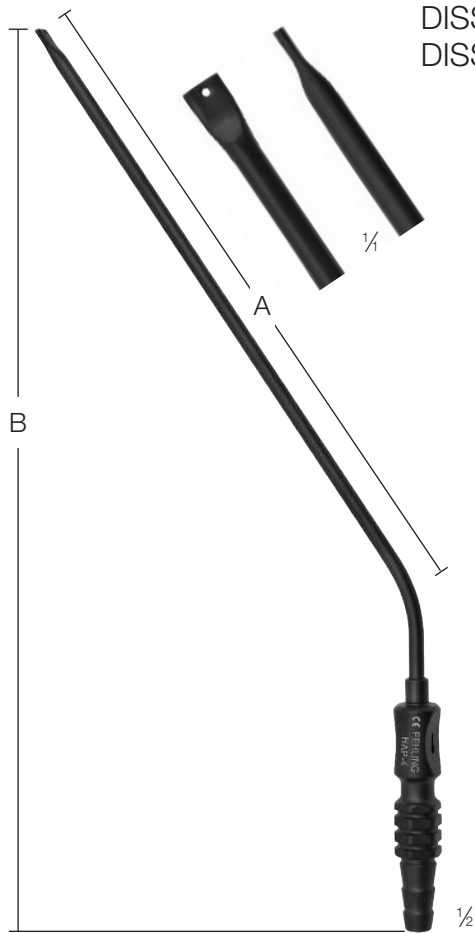
CERAMO®

| Ø TUBE ROHR | LENGTH LÄNGE A / B | | |
|-------------------|--------------------------|--------------|--------------|
| | 115 / 180 mm | 145 / 200 mm | 210 / 250 mm |
| 1,0 mm | – | VOC-1 | VOE-4 |
| 1,5 mm | – | VOC-7 | – |
| 2,0 mm | VOB-2 | VOC-2 | VOE-5 |
| 2,5 mm | VOB-3 | VOC-3 | VOE-6 |
| 3,0 mm | VOB-4 | VOC-4 | VOE-7 |
| 4,0 mm | VOB-5 | VOC-5 | VOE-8 |
| 5,0 mm | VOB-6 | VOC-6 | VOE-9 |



UNCOATED
UNBESCHICHTET

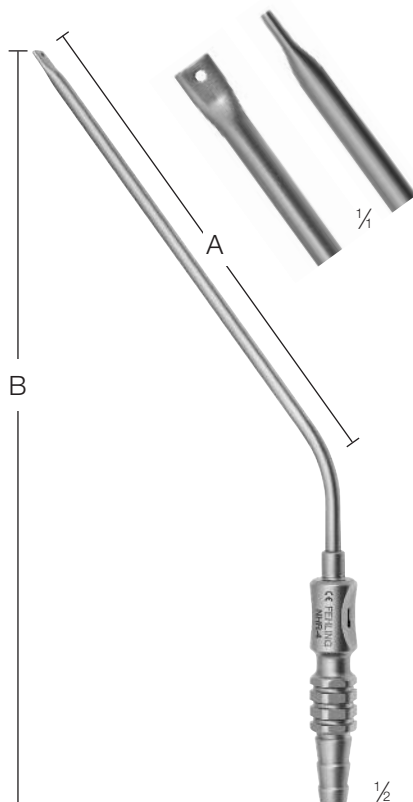
| Ø TUBE ROHR | LENGTH LÄNGE A / B | | |
|-------------------|--------------------------|--------------|--------------|
| | 115 / 180 mm | 145 / 200 mm | 210 / 250 mm |
| 1,0 mm | – | HAR-1 | – |
| 1,5 mm | HAT-5 | – | – |
| 2,0 mm | NAT-7 | HAR-2 | NHR-8 |
| 2,5 mm | NAT-8 | HAR-0 | NHS-0 |
| 3,0 mm | NAT-9 | HAR-3 | NHR-9 |
| 4,0 mm | NAU-1 | HAR-4 | NHS-1 |
| 5,0 mm | NAU-2 | HAP-9 | NHS-2 |



DISSECTION CANNULAS
DISSEKTIONSSAUGER

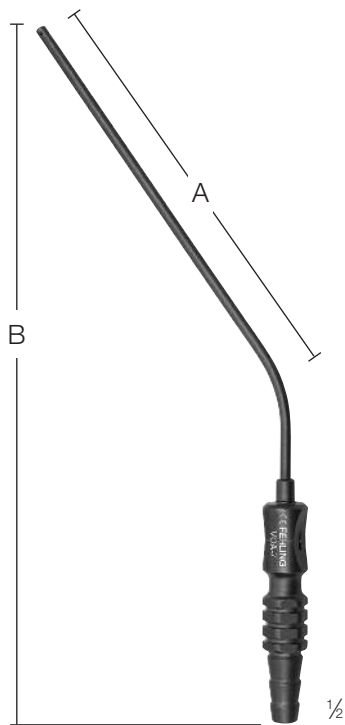
| Ø TUBE ROHR | LENGTH LÄNGE A / B | |
|-------------------|--------------------------|-------|
| 3,0 mm | 125 / 190 mm | HAP-5 |
| 4,0 mm | 175 / 245 mm | HAP-4 |

CERAMO®
KINTZEL



| Ø TUBE ROHR | LENGTH LÄNGE A / B | |
|-------------------|--------------------------|-------|
| 3,0 mm | 110 / 170 mm | NHR-0 |
| 4,0 mm | 120 / 190 mm | NHR-4 |
| | | NGG-5 |
| 4,0 mm | 140 / 210 mm | NHA-8 |

CERAMO®

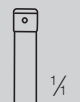
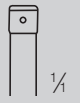


MALLEABLE
BIEGBAR

| Ø TUBE ROHR | LENGTH LÄNGE A / B | |
|-------------------|--------------------------|--------------|
| | 120 / 180 mm | 160 / 210 mm |
| 1,0 mm | VOA-5 | VOB-0 |
| 2,0 mm | VOA-6 | VOA-1 |
| 3,0 mm | VOA-7 | VOA-2 |
| 4,0 mm | VOA-8 | VOA-3 |
| 5,0 mm | VOA-9 | VOA-4 |
| 6,0 mm | - | VOA-0 |

CERAMO®
SUCTION CANNULA
SAUGKANÜLE



| Ø TIP SPITZE | |
|---|-------|
|  3,3 mm | WEU-0 |
|  4,0 mm | WEU-1 |

NON-STICK*
MONOPOLAR SUCTION TUBE
MONOPOLARER SAUGER
A = 130 mm




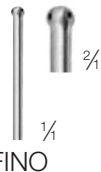
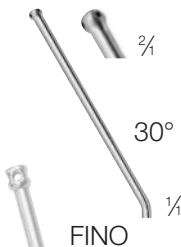



CLEANING BRUSH
REINIGUNGSBÜRSTE
360 mm
WEU-4

* limited distribution territory
eingeschränktes Vertriebsrecht

JAMIESON

DISSECTION CANNULAS
DISSEKTIONSSAUGER

| | Ø HOLE / BALL LOCH / KUGEL | LENGTH LÄNGE | | |
|---|----------------------------------|---------------------|-----|-------|
|  | 0,5 mm | 270 mm | | MMT-1 |
| | 1,0 mm | 210 mm | | MNF-0 |
| | | 270 mm | | MNF-6 |
| | 1,5 mm | 270 mm | | MMA-7 |
|  | 1,0 mm | 260 mm | | MMC-0 |
|  | 1,5 mm | 270 mm | | MME-5 |
|  | 1,5 mm | 290 mm | | MME-1 |
|  | 1,5 mm | 290 mm | | MME-2 |
|  | 0,5 mm | a = 70 mm 270 mm | 15° | MME-3 |
| | | | 30° | MMJ-0 |
| | 1,0 mm | a = 60 mm 270 mm | 30° | MMJ-6 |
| | 1,0 mm | a = 70 mm 270 mm | 15° | MME-4 |
| | | | 30° | MMB-0 |



VALVULAR SUCTION TUBE
SAUGER FÜR KLAPPENCHIRURGIE

| | |
|--------|---------|
| 300 mm | 350 mm* |
| MNO-0 | MNO-8 |



CERAMO®
SUCTION CANNULA FOR
VALVE DECALCIFICATION
ENTKALKUNGSSAUGER
240 mm

MNF-5

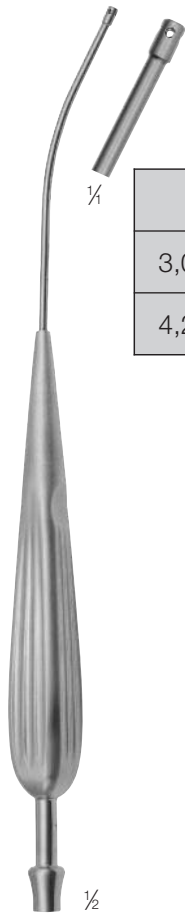


HLM-ASPIRATOR
HLM-SAUGER
280 mm
MEL-7

* particularly for MICS MVR
speziell für MICS MKR/MKE



225 mm
MCE-9



ANDREWS PYNCHON
240 mm

PEDIATRIC
PÄDIATRISCH

| Ø | |
|--------|-------|
| 3,0 mm | MNO-4 |
| 4,2 mm | MNO-5 |



245 mm
MCE-8



210 mm
MNE-5



SEBENING
180 mm
MNE-8

GRECO

PEDIATRIC
PÄDIATRISCH



DETACHABLE BASKET
KORB ABNEHMBAR

1/2
180 mm

| ∅ TUBE / ROHR | |
|------------------|-------|
| 3,3 mm | MNM-1 |
| 5,0 mm | MNM-3 |



DETACHABLE BASKET
KORB ABNEHMBAR

1/2
160 mm

| ∅ TUBE / ROHR | |
|------------------|-------|
| 3,3 mm | MNM-2 |
| 5,0 mm | MNM-4 |



1/2
210 mm

| ∅ TUBE / ROHR | |
|------------------|-------|
| 3,3 mm | MNL-2 |
| 5,0 mm | MNL-5 |



1/2
180 mm

| ∅ TUBE / ROHR | |
|------------------|-------|
| 3,3 mm | MNL-1 |
| 5,0 mm | MNL-4 |

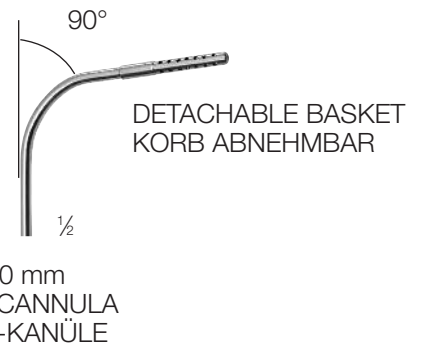
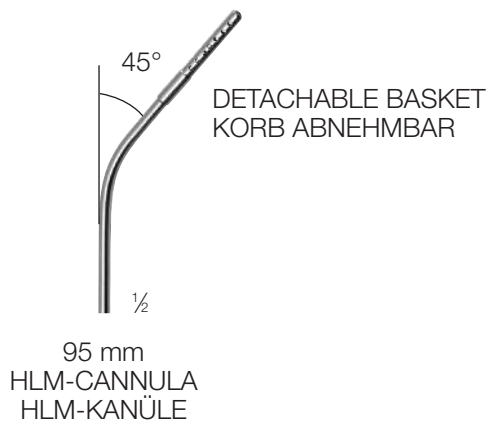


1/2
150 mm

| ∅ TUBE / ROHR | |
|------------------|-------|
| 3,3 mm | MNL-3 |
| 5,0 mm | MNL-6 |

GRECO

PEDIATRIC
PÄDIATRISCH



| Ø TUBE / ROHR | |
|------------------|-------|
| 3,3 mm | MNM-5 |
| 5,0 mm | MNM-7 |

| Ø TUBE / ROHR | |
|------------------|-------|
| 3,3 mm | MNM-6 |
| 5,0 mm | MNM-8 |

VENTRICULAR SUCTION CANNULAS FOR 1/4" TUBE
VENTRIKELSAUGER FÜR 1/4" SCHLAUCH



Ø 6 mm
L 23 mm
MKN-8



Ø 7 mm
L 25 mm
MKK-5



PEDIATRIC VENTRICULAR SUCTION CANNULA
KINDER-VENTRIKELSAUGER



| | |
|---------|-----------|
| Ø 16 mm | 9 x 12 mm |
| MCC-0 | MCC-1 |



HEPARIN CANNULA
HEPARINKANÜLE

| Ø TUBE ROHR | LENGTH LÄNGE | | |
|-------------------|-----------------|-------|--------|
| | 48 mm | 55 mm | 160 mm |
| 1,2 mm | HAH-9 | HAI-2 | — |
| 2,0 mm | — | — | HAI-3 |

MALLEABLE
BIEGSAM

| Ø TUBE ROHR | | |
|-------------------|-------|-------|
| 1,2 mm | VAD-3 | VAD-4 |
| 1,5 mm | VAD-5 | VAD-6 |
| 2,0 mm | VAD-0 | — |



BUTTONED CANNULAS
KNOPFKANÜLEN
80 mm

VASCULAR IRRIGATORS
VASKULARSPÜLKÖPFE



FIG. 1
MEF-6



FIG. 2
MEF-7



FIG. 3
MEF-8

TUBE / SCHLAUCH
← Ø = 1,5 mm

TUBE / SCHLAUCH
← Ø = 2,0 mm →

LUER-LOCK ADAPTER
LUER-LOCK-ANSATZ



FIG. 1
MFO-8



FIG. 2
MFO-9



FIG. 3
MFP-1